

BLANCO

Instructions for the Use and Care and Installation of

BWC6X

BWC9X

BWC90X

BWGG90X

BRC30X

Rengehood

Dear Customer,

Thank you for buying a **BLANCO** rangehood.

Before we continue telling you about this rangehood, we cordially invite you to become part of the Blanco family by subscribing online.

Please visit our website where you can easily subscribe and request such things as 'invitations to future cooking classes' and gourmet recipes.

Go to **www.blanco-australia.com** and fill in the subscription details.

You will find that the clean lines and modern look of your **Blanco** rangehood blends in perfectly with your kitchen décor. It is easy to use and performs to a high standard.

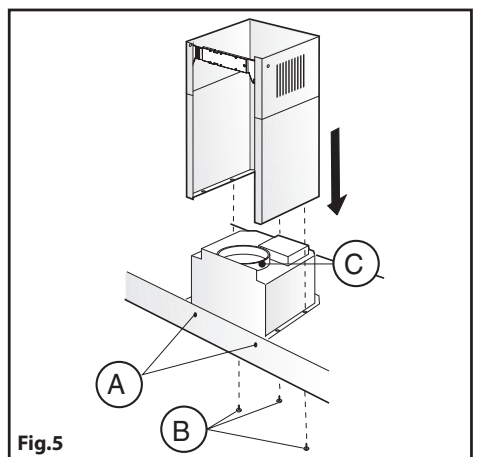
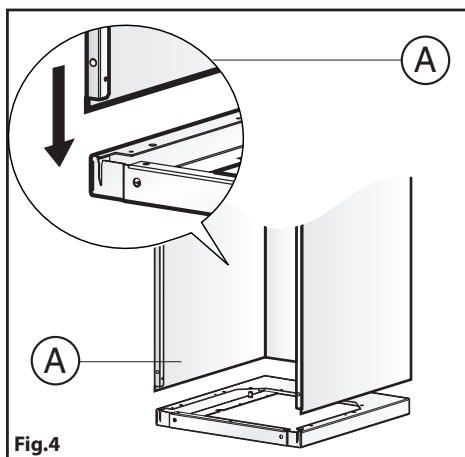
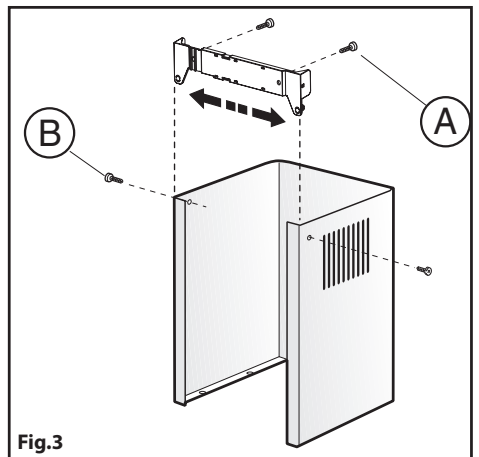
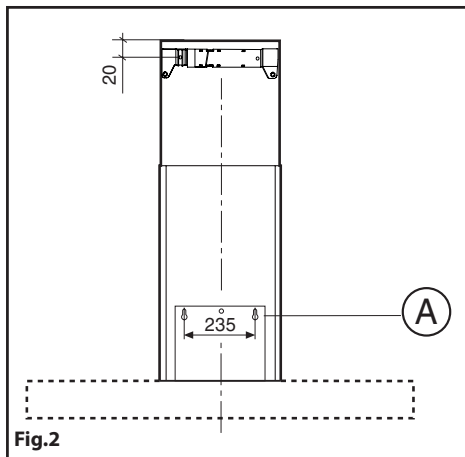
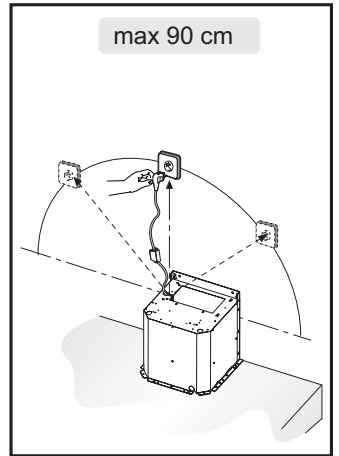
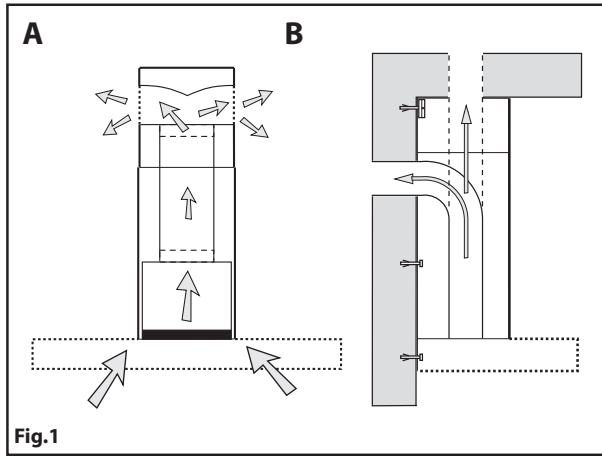
Blanco also makes a range of products that will enhance your kitchen such as cooktops, ovens, dishwashers and microwaves, sinks and taps. There are models to complement your new **Blanco** rangehood.

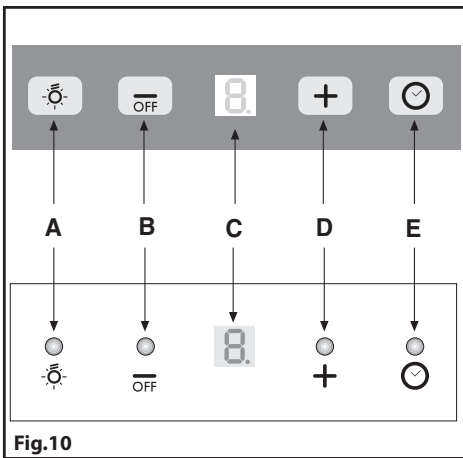
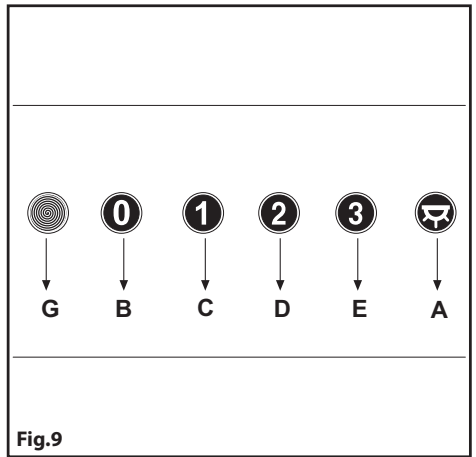
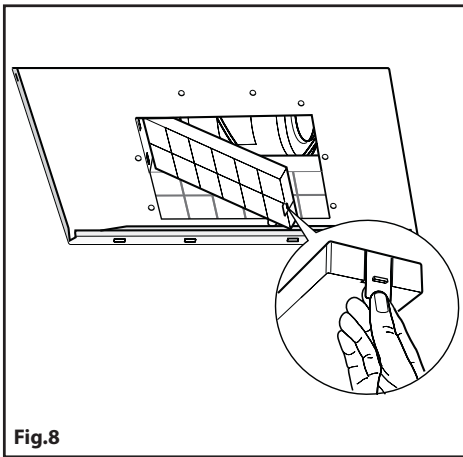
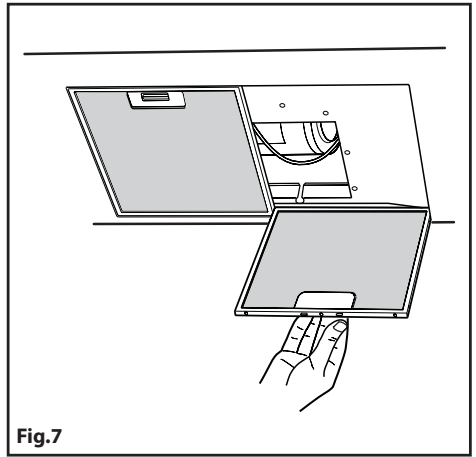
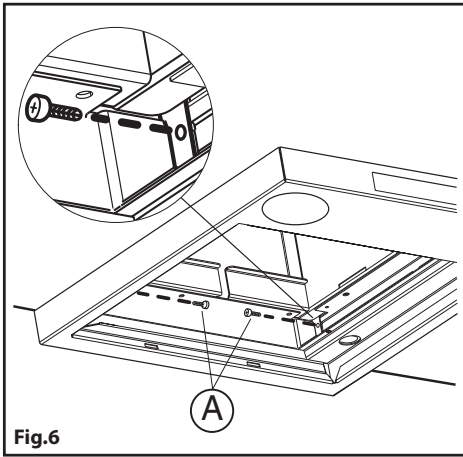
Of course, we make every effort to ensure that our products meet all your requirements, and our Customer Relations department is at your disposal, to answer all your questions and to listen to all your suggestions.

Please complete the warranty card and keep your receipt as proof of purchase. Retain all documents relating to the purchase of this product.

Blanco is committed to providing increasingly efficient products that are easy to use, and are not just beautiful, smart.

BLANCO





GENERAL

These warnings are provided in the interest of safety. Carefully read the following important information regarding installation safety and maintenance. You MUST read them carefully before installing or using the appliance. It is most important that this instruction book be retained with the appliance for future reference. Should the appliance be sold or transferred, always ensure that the book is left with the appliance in order that the new owner can get to know the function of the appliance and the relevant warnings. The appliance has been designed for use in the ducted version (Fig.1B) and recirculated version (Fig.1A).

SAFETY PRECAUTION

1. Take care when the rangehood is operating in the same room as an open fireplace or burner that requires air in the environment and uses an energy source other than electrical energy – this because the rangehood removes air from the environment which a burner or fireplace may need for combustion. The negative pressure in the environment must not exceed 4Pa (4x10⁻⁵ bar).
2. Provide adequate ventilation in the environment for a safe operation of the rangehood.
3. Follow the local laws applicable for external air evacuation.
4. If the supply cord is damaged, it must be replaced by the manufacturer or its service agent or a similarly qualified person in order to avoid a hazard.

WARNING!

In certain circumstances electrical appliances may be a danger hazard.

- A) The appliance is not intended for use by persons (including children) with reduced physical, sensory or mental capabilities, or lack of experience and knowledge, unless they have been given supervised or instruction concerning use of the appliance by a responsible person for their safety.
- B) Young children should be supervised to ensure they do not play with the appliance.
- C) Do not check or remove the filters when the rangehood is operating.
- D) Flambé cooking is prohibited underneath the rangehood.
- E) Constantly check food frying to avoid that the overheated oil may become a fire hazard.
- F) Disconnect the electrical plug prior to any maintenance.
- G) Do not touch lighting or adjacent areas when lighting is on - and for a period of time after using the light.
- H) Avoid leaving cooktop on (gas and electric) without the saucepan covering the burner or cooking zone. This is because heat transferring upwards to the rangehood will be damaging to the filters and a fire hazard.
- I) Ensure adequate ventilation of the room where the rangehood is used at the same time as appliances burning gas or other fuels. Exercise care when a rangehood is installed in an area where a gas burner is operating. Depending on the size of the room, the rangehood may draw from the room air that is necessary for proper combustion of the burner.
- J) Ensure the rangehood is cleaned frequently.
- L) There is a risk of fire if cleaning is not carried out in accordance with the instructions.
- M) For any repairs always contact an authorised Technical Customer Service Centre and ask for original spare parts. Repairs by untrained people may lead to damage and void warranty.

Warnings for Installation:

- a) The exhaust air must not be discharged into a flue which is used for exhausting fumes from appliances burning gas or other fuels.
- b) The minimum distance from the cooktop surface and the lowest part of the rangehood must not be less than 65cm. If the instructions for the cooktop specify a greater distance, please consider this.
- c) The regulations concerning the discharge of exhaust air have to be fulfilled.
- d) All Blanco rangehoods are used for indoor application/installation only.

Other Information:

This appliance conforms to the European Directive EC/2002/96, Waste Electrical and Electronic Equipment (WEEE). By making sure that this appliance is disposed of in a suitable manner, the user is helping to prevent potential damage to the environment or to public health.



The symbol on the product or on the packaging label on the carton indicates that the appliance should not be treated as domestic waste, but should be delivered to a suitable electric and electronic appliance recycling collection point. Follow local guidelines when disposing of waste. For more information on the treatment,

re-use and recycling of this product, please contact your local authority or domestic waste collection service.

INSTALLATION INSTRUCTIONS

Electric Connection

The appliance has been manufactured as a class II, therefore no earth cable is necessary. The connection to the mains is carried out as follows:

BROWN = **L** line
BLUE = **N** neutral

If not provided, connect a plug for the electrical load indicated on the description label. Where a plug is provided, the rangehood must be installed in order that the plug is easily accessible.

An omnipolar switch with a minimum opening of 3mm between contacts, in line with the electrical load and local standards, must be placed between the appliance and the network in the case of direct connection to the electrical network.

- The minimum distance between the support surfaces of the cooking pots on the cook top and the lowest part of the rangehood must be at least 65 cm. If a connection tube composed of two parts is used, the upper part must be placed outside the lower part. Do not connect the rangehood exhaust to the same conductor used to circulate hot air or for evacuating fumes from other appliances generated by other than an electrical source. Before proceeding with the assembly operations, remove the anti-grease filter(s) (Fig.7) so that the unit is easier to handle. In the case of assembly of the appliance in the suction version prepare the hole for evacuation of the air.
- We recommend the use of an air exhaust pipe with a diameter of 150. If a pipe with a smaller diameter is used, the efficiency of the product may be reduced and its operation may become noisier.

Warning: Failure to install the screws or fixing device in accordance with these instructions may result in electrical hazards (see technical data if supplied).

• Fixing to the wall

Drill the holes **A** as per the distances indicated (Fig.2). Fix the appliance to the wall and align it in horizontal position to the wall units. When the appliance has been adjusted, definitely fix the hood using the screws **A** (Fig.5).

For the various installations use screws and screw anchors suited to the type of wall (e.g. reinforced concrete, plasterboard, etc.). If the screws and screw anchors are provided with the product, check that they are suitable for the type of wall on which the hood is to be fixed.

• Fixing the decorative telescopic flue

Arrange the electrical power supply within the dimensions of the decorative flue. If your appliance is to be installed in the ducting version or in the version with external motor, prepare the air exhaust opening. Adjust the width of the support bracket of the upper flue (Fig.3). Then fix it to the ceiling using the screws **A** (Fig.3) in such a way that it is in line with your hood and respecting the distance from the ceiling indicated in Fig.2. Connect the flange **C** to the air exhaust hole using a connection pipe (Fig.5). Insert the upper flue into the lower flue. Fix the lower flue to the hood using the screws **B** provided (Fig.5), extract the upper flue up to the bracket and fix it with the screws **B** (Fig.3).

If your appliance has the lower connections indicated as in Fig. 4 A, the fixing to be carried out is that shown in Fig. 6.

• Recirculating filtering version

Install the hood and the two flues as described for installation of the hood in ducting version. To assemble the filtering flue refer to the instructions contained in the kit provided. Charcoal filters can be fitted in the ducting unit located inside the hood (Fig.8). Filter can be purchased as an accessory, part number ACK62260.

Additional Installation Notes.

Rangehoods may be ducted in two ways:

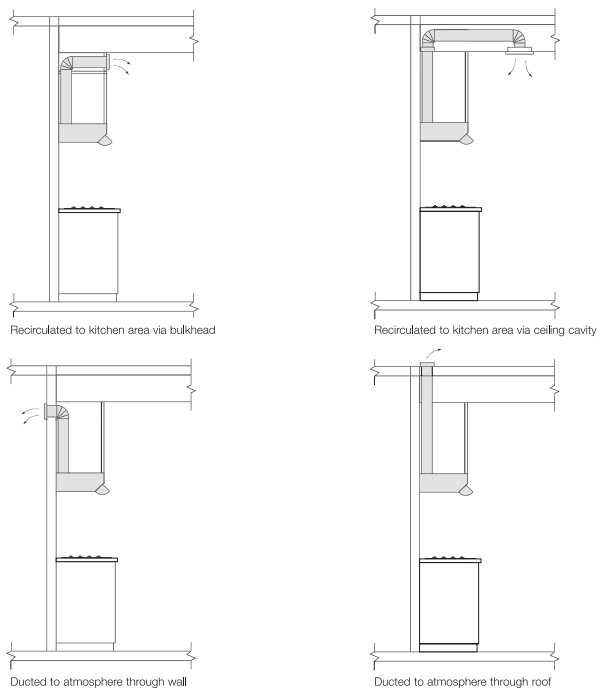
1. Ducted to the atmosphere (outside).
2. Recirculating.

We recommend ducting to the atmosphere to ensure optimum performance. Recirculating the air back into the room should only be used when outside extraction is not possible. To ensure maximum performance when ducting

it is important the ducting that carries the fumes away, be as short and as straight as possible.

When incorporating a rangehood in the design of a kitchen the following points need to be considered to achieve the most benefit from the rangehood.

1. Ducting from a rangehood carrying the exhaust air, should not exceed a length of three (3) metres.
2. For ducted installation we recommend using galvanised or similar metal type flue pipe. PVC pipe is not recommended.
3. Ducting containing a 90° degree bend will encounter a loss in efficiency of approximately 35%. Additional 90° degree bends can cause losses of up to 15% per bend.
4. Ducting size should always comply with the manufacturers specification.
5. We recommend carbon filters be used when re-circulating the air into the room. There will be some loss of air movement when carbon filters are fitted.



USE AND MAINTENANCE

• It is recommended to operate the appliance prior to cooking.

It is recommended to leave the appliance in operation for 15 minutes after cooking is terminated in order to minimise cooking vapours and odours.

The proper function of the cooker hood is conditioned by the regularity of the maintenance operations, in particular, the active carbon filter.

• The aluminium grease filters capture the grease particles suspended in the air. The filters are therefore subject to clogging according to the frequency of the use of the appliance.

In order to prevent a fire hazard, it is recommended to clean the filters every 2 months by carrying out the following instructions:

- Remove the aluminium filters from the rangehood and wash them in a solution of water and neutral liquid detergent, leave to soak.

- Rinse thoroughly with warm water and leave to dry.

- The filters may also be washed in the dishwasher.

The aluminium filters may alter in colour after several washes. This is not cause for customer complaint nor replacement of panels.

- Clean the fan and other surfaces of the rangehood regularly using a cloth moistened with metholated spirits or non abrasive liquid detergent.
- The active carbon help to filters purify the air that is replaced in the environment. The filters are available upon request from your retailer. The filters are not washable or reusable and must be replaced at a maximum every four months. The saturation of the active carbon filter depends on the frequency of use of the appliance , by the type of cooking and the regularity of the cleaning of the aluminum filters.
- The lights are designed to be used during cooking – not for prolonged general illumination of the environment. Prolonged use of the lights will reduce the duration of the bulb.

• **Light Replacement - Incandescent.**

- Remove the aluminium filters from the rangehood.
 - Un-screw the globe.
 - Replace the globe.
 - Re-install the aluminium filters.
- Globe: Tubular E14 40Watts 240volts

• **Light Replacement - Halogen**

- 12 volt 20 W Halogen.
Remove the glass retaining ring and glass.
Replace the globe with another of the same type.
Replace the glass and retaining ring.

• **Controls:** (Fig.9 B) Symbols are explained below for all models except BWCG90X:

- A** = LIGHT
B = OFF
C = SPEED I
D = SPEED II
E = SPEED III
G = MOTOR WORKING indicator.

• **Controls:** (Fig.10) only for **BWCG90X**

Push-button A = on/off lights switch

Push-button B = on/off rangehood switch. The appliance switches on at speed level 1, If the rangehood is on depress the push-button for 2 sec. to switch off the rangehood . If the cooker hood is at speed level 1 it will not be necessary to depress the push-button to switch the rangehood off. Decreases the motor speed.

Display C = indicates the motor speed level selected and activates the timer.

Push-button D = switches on the rangehood . Increases the motor speed. Touching the key at 3rd speed, the intensive function runs for 10', then the appliance go back to work at the original speed. During this function the display blinks.

Key E = The Timer times the functions on activation for 15 minutes, after which they are switched off. The Timer is deactivated by re-pressing **Key E**. When the Timer is activated the decimal point must flash on the display. The Timer cannot be activated if the intensive speed is functioning.

•The "**clean air**" function is activated by pressing key **E** for 2 seconds when the appliance is switched off. This switches the motor on for 10 minutes every hour at the first speed. During functioning a rotary movement of the peripheral segments must be visualised on the display. When this time has passed the motor switches off and the fixed letter "**C**" must be visualised on the display until the motor re-starts after 50 minutes for another 10 minutes and so on. Press any key apart from the light keys to return to normal functioning. Press key **E** to deactivate the function.

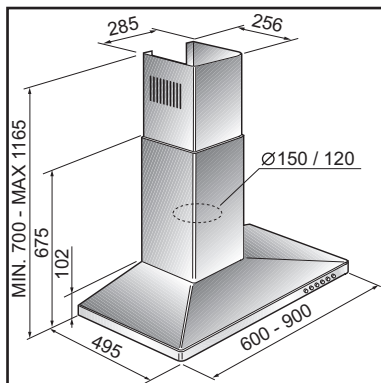
• **Active carbon/grease filter saturation:**

- When display item **C** flashes, at a speed where it alternates with the letter **F** (e.g. 1 and **F**), the **grease** filters must be washed.

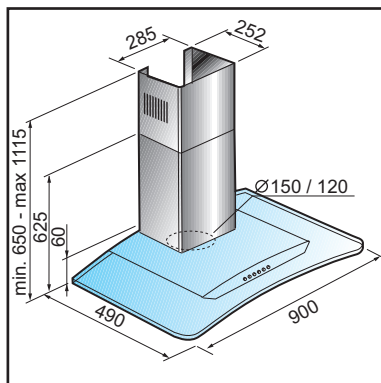
- When display item **C** flashes, at a speed where it alternates with the letter **A** (e.g. 1 and **A**), the **carbon** filters must be replaced.

After the clean filter has been positioned correctly, the electronic memory must be reset by pressing button **A** for approximately **5 seconds**, until the indication **F** or **A** shown on the display **C** stops flashing.

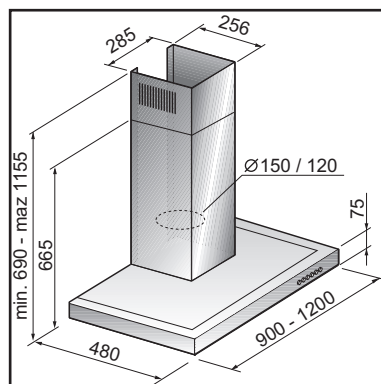
THE MANUFACTURER DECLINES ALL RESPONSIBILITY FOR EVENTUAL DAMAGES CAUSED BY BREACHING THE ABOVE WARNINGS.



BWC9X - BWC6X



BWGG90X



BWC90X

We appreciate your feedback.
Please review our products on
www.blanco-australia.com



Printed on recycled paper

3LIK1400