

CLARON700U

Stainless Steel Large Single Bowl Undermount Sink



BLANCO



Model Code

CLARON700U

Inclusions

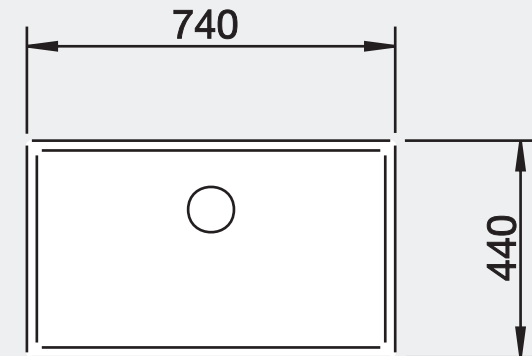
Chrome Designer Waste

Warranty

30 Year Warranty



Specifications



Features

Made in Germany and winner of the Red Dot Design Award

18/10 Surgical Grade Stainless Steel

Large 52 litre capacity bowl

10mm radius corners

Designer waste included

Inbuilt overflow

Benefits

Over 85 years of Stainless Steel know-how make Blanco one of the world leaders in sink manufacturing, which translates to superior products for your home

Hand-crafted from 1.25 mm thick stainless steel and finished with Blanco's satin polish make this sink an ultimate food preparation area.

With a bowl depth of 190mm, this sink will accommodate even the largest of baking trays, woks and other bulky kitchen utensils

Blanco was the first to produce the 10mm radius corner which gives commercial appeal whilst maintaining an easy to clean finish.

No need to purchase separately, sink ready for use when purchased.

No overflowing of the bowl, prevents damage to the kitchen

Product Code:	CLARON700U
Material:	18/10 Surgical Grade Stainless steel - Satin Polish
Dimensions:	740w x 440d mm
Bowl Depths:	190mm
Cut-out:	700w x 400d mm (10mm radius corners)

Optional Accessories:

BGCUB – Glass cutting board
BZDRAINSS – Stainless steel drainer
ZCOLSS – Stainless steel colander

Measurements are within 2 - 3mm of factory tolerance. It is advisable to check dimensions of physical product when measuring for installations and before doing any cut outs.

*Due to continual product development the information provided is not final and may be subject to change.