

# BOSE67XP

## 60cm, 7 Function, Built in Electric Oven



### Model Code

BOSE67XP

### Description

60cm, 7 Function, Electric Oven

### Accessories

Included Accessories:

- 2 x safety anti-tip shelves
- 1 x enamelled baking tray
- 1 x grill pan insert
- 1 x grill handle

### Warranty

BLANCOCare™ 2 years parts & labour

### Made in Italy

### Features

### Benefits

#### Large Oven Capacity

At 66 litres, this larger capacity oven will accommodate even the biggest of meals.

#### Triple Glazed Thermo-reflective Door

The triple layered door with thermo-reflective glass offers not only a cooler to touch surface but also increases the energy efficiency as the heat is retained within the oven.

#### Fully Programmable

The fully programmable touch control operation enables you to set the start and finish time of your cooking where the oven will automatically switch off when finished.

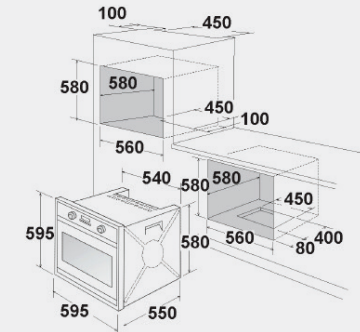
#### Black Enamelled Cavity

The oven is made so that it's simple to clean. The smooth black enamel is not only easy to clean but also resistant of acidic spills.

#### 5 Shelf Positions

Offering greater flexibility when cooking. The 5 shelf positions allows for more usable space within the oven.

## Specifications



Product Dimensions:	H595 x W595 x D550mm
Cut-out size (proudmount):	H580 x W560 x D580mm
Cut-out size (flushmount):	H598 x W598 x D580mm
Power Requirement:	220-240V – 50Hz
Electrical connection:	15 amp – cable supplied – hard wired
Oven volume:	66 litre capacity
Oven Functions:	Fan Forced, Fan Grill, Fan Assist, Light Bottom Element with Fan, Half Grill, Traditional
Lighting:	25 W

### Oven Elements:

Grill element:	2200 W
Oven bottom element:	1100 W
Fan forced element:	2300 W
Hot air fan motor:	20-25 W
Cooling fan motor:	25 W

NOTE: It is advisable to check dimensions of physical product when measuring for installation and before doing any cut outs.

\*Due to continual product development the information provided is not final and may be subject to change.